

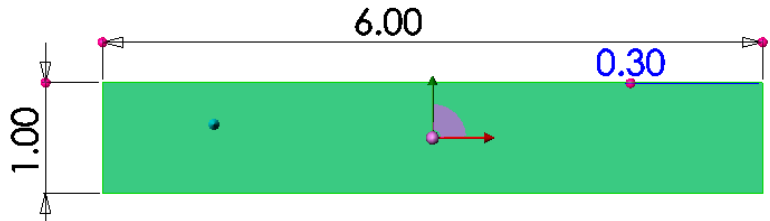
# Text In Plate

1. Click **New**.  Click **Part**,  OK

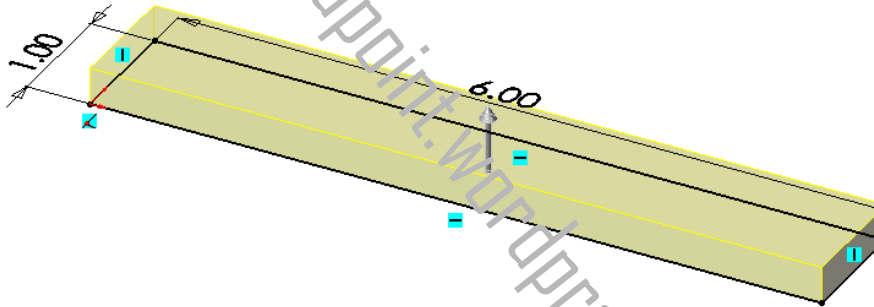
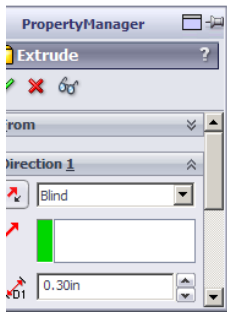
2. Click **Top Plane** and click on **Sketch**.

3. Click **Rectangle**,  sketch a rectangle.  
Use **inchi** unit

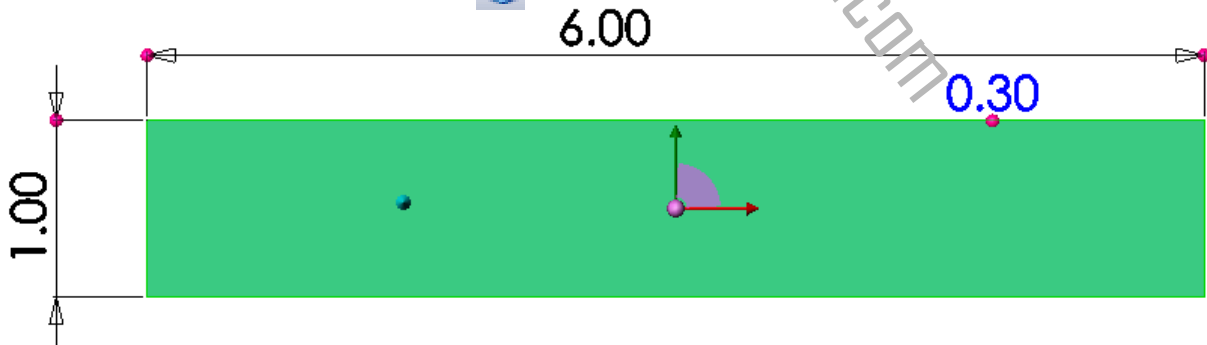
4. use **Smart Dimension**,  to 2in x 6 in.



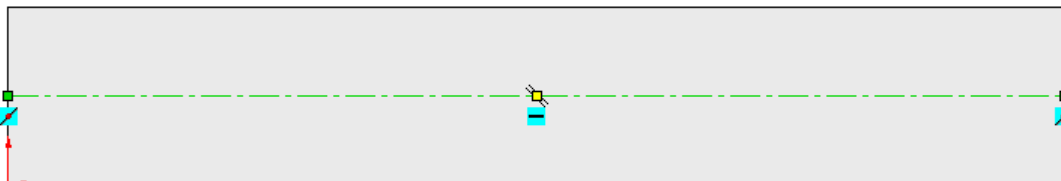
4. Click **Feature**>**Extruded Boss/Base**,  set **D1** to **0.3in** and .click **OK**



5. Click on top face and click on **Normal To**.




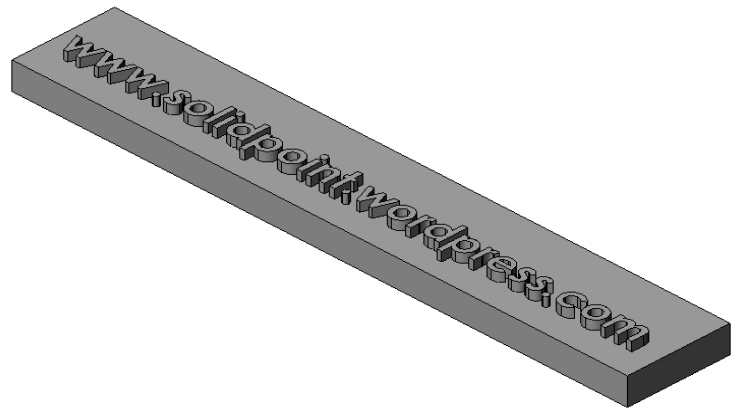
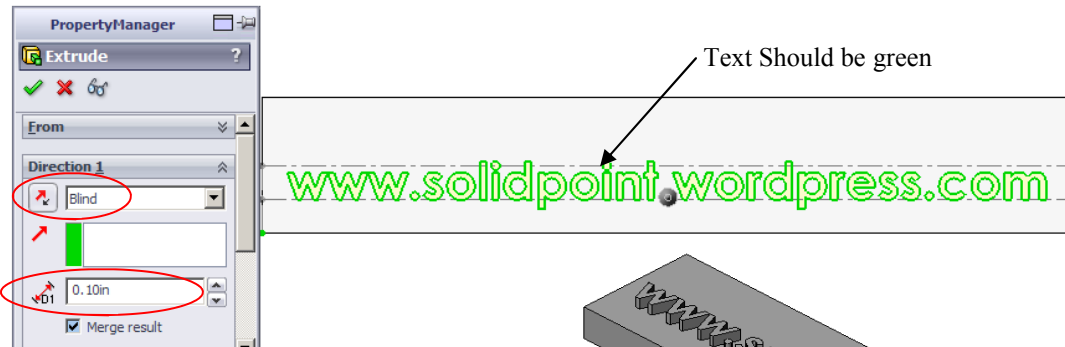
6. Click on **top face** again and click on **Sketch**.







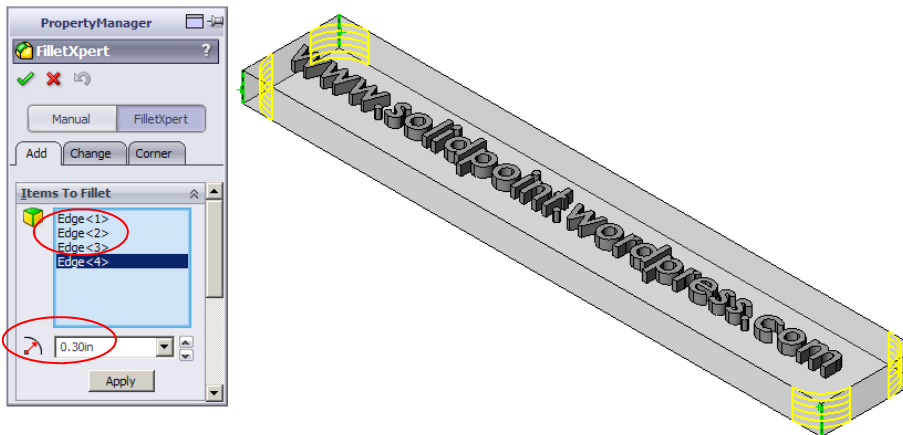
### 11. To emboss the text

- Click font make the **green font**
- Click **Features>Extrude boss/base** 
- In Property manager select **Blind** and set **D1** to **0.1** in
- Click **OK**

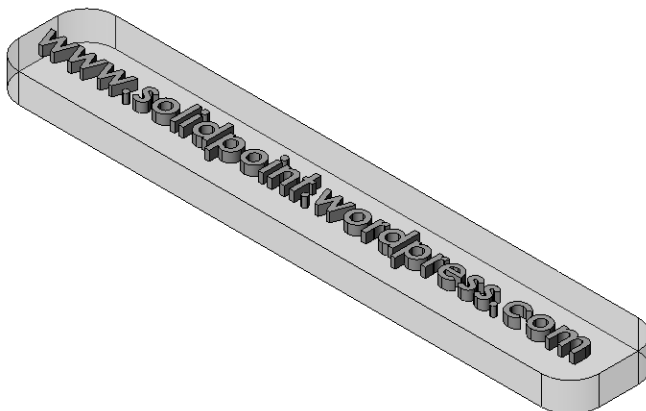


### 12. Fillet Edge

- Click **Hidden lines Visible** 
- Click **fillet** in feature 
- Insert radian 30
- Select **four edge a part by hold ctrl**



### 13. Click **OK**



You can used PhotoView 360 for nice view

You can sent your design to my blog, that will be in good stead for newcomer in solidwork design. Thanks awfully